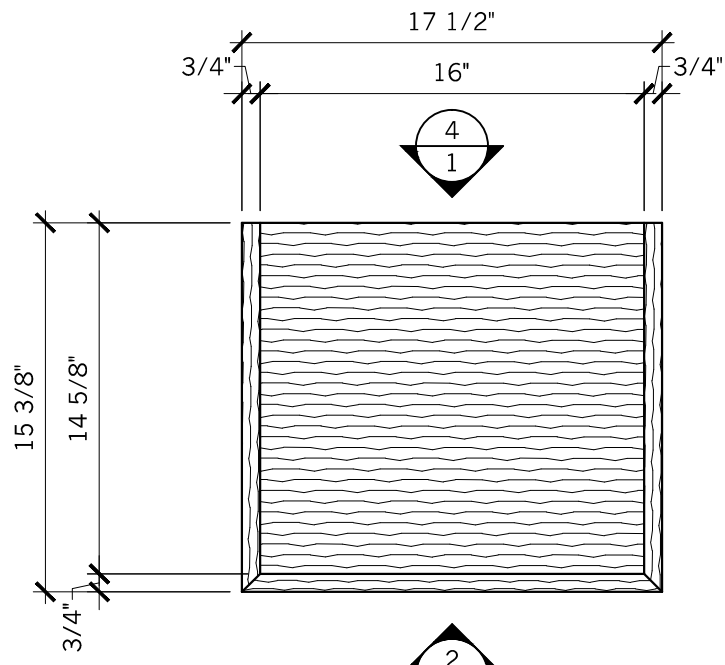
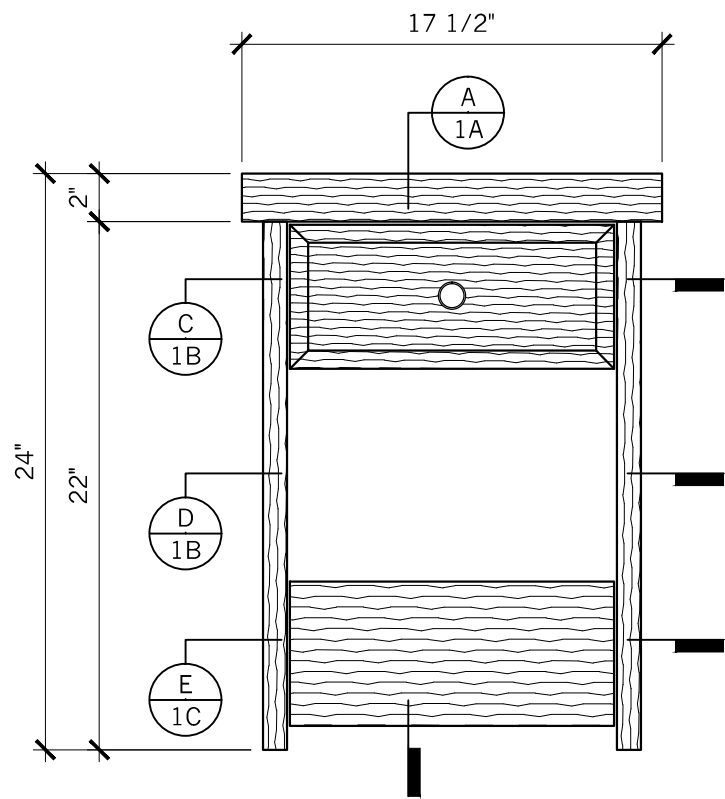


# SkillsUSA

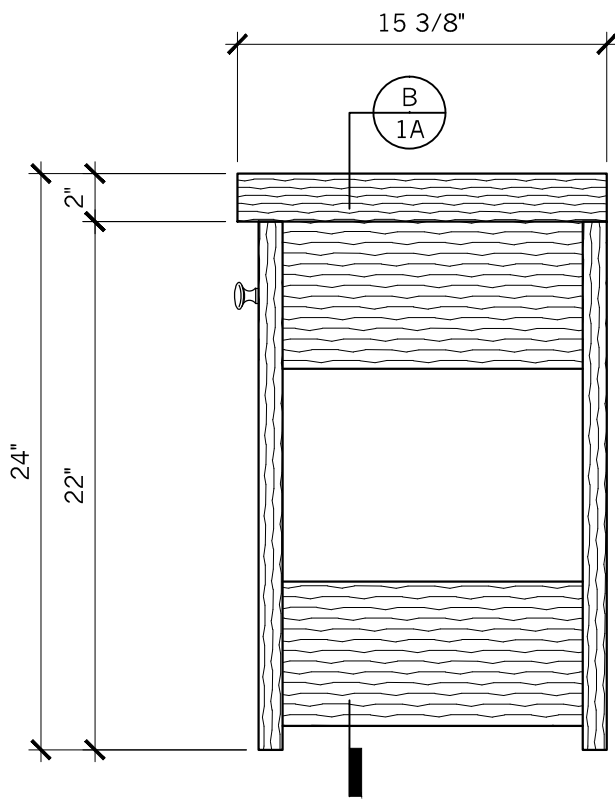
## CALIFORNIA STATE CONTEST



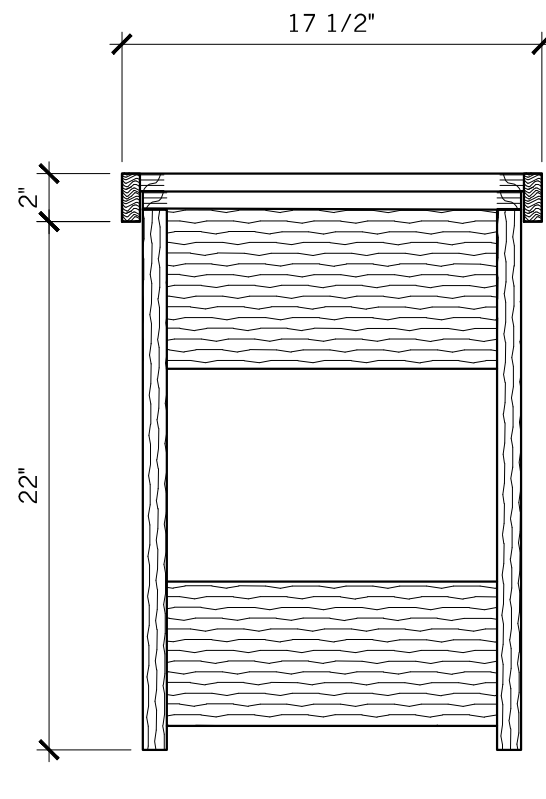
**1 PLAN VIEW**  
SCALE: 1 1/2"=1'-0"



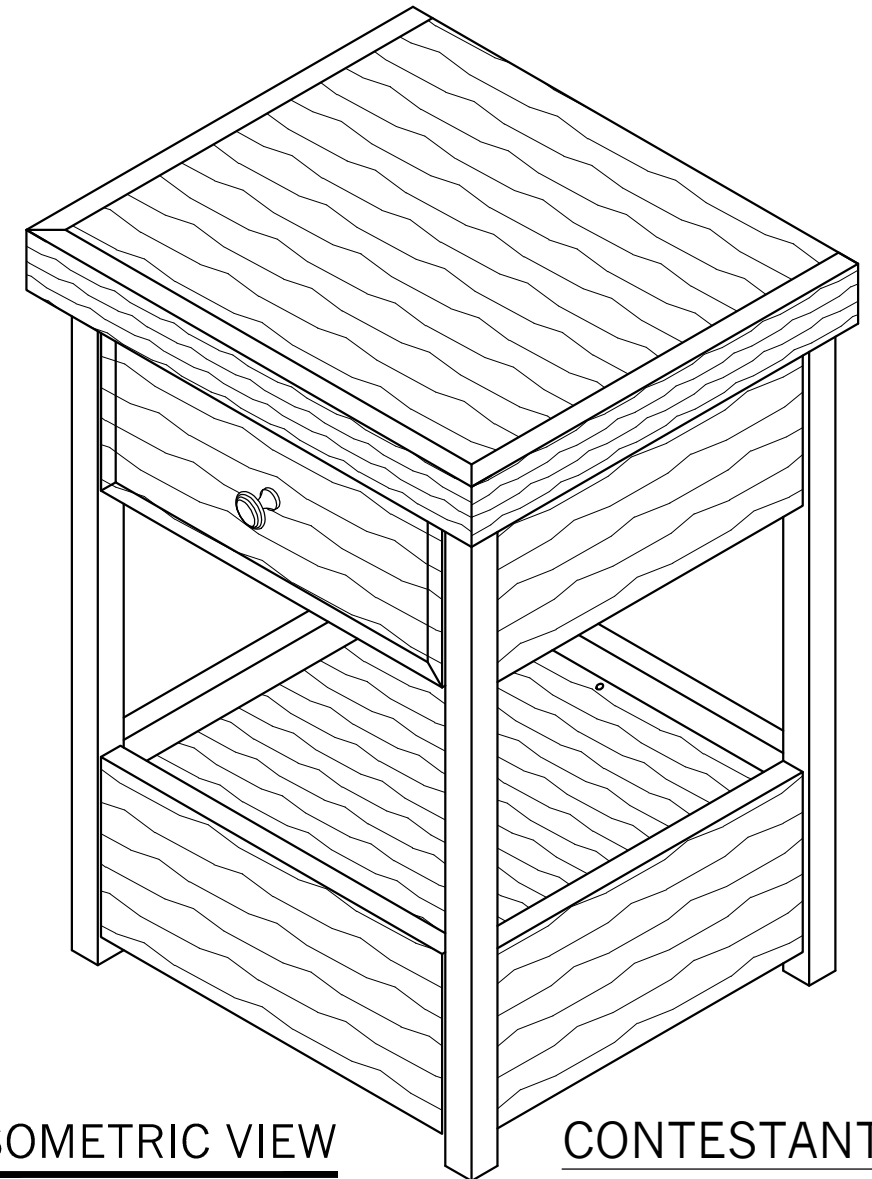
**2 ELEVATION**  
SCALE: 1 1/2"=1'-0"



**3 ELEVATION**  
SCALE: 1 1/2"=1'-0"



**4 ELEVATION**  
SCALE: 1 1/2"=1'-0"



**ISOMETRIC VIEW**  
SCALE: NTS

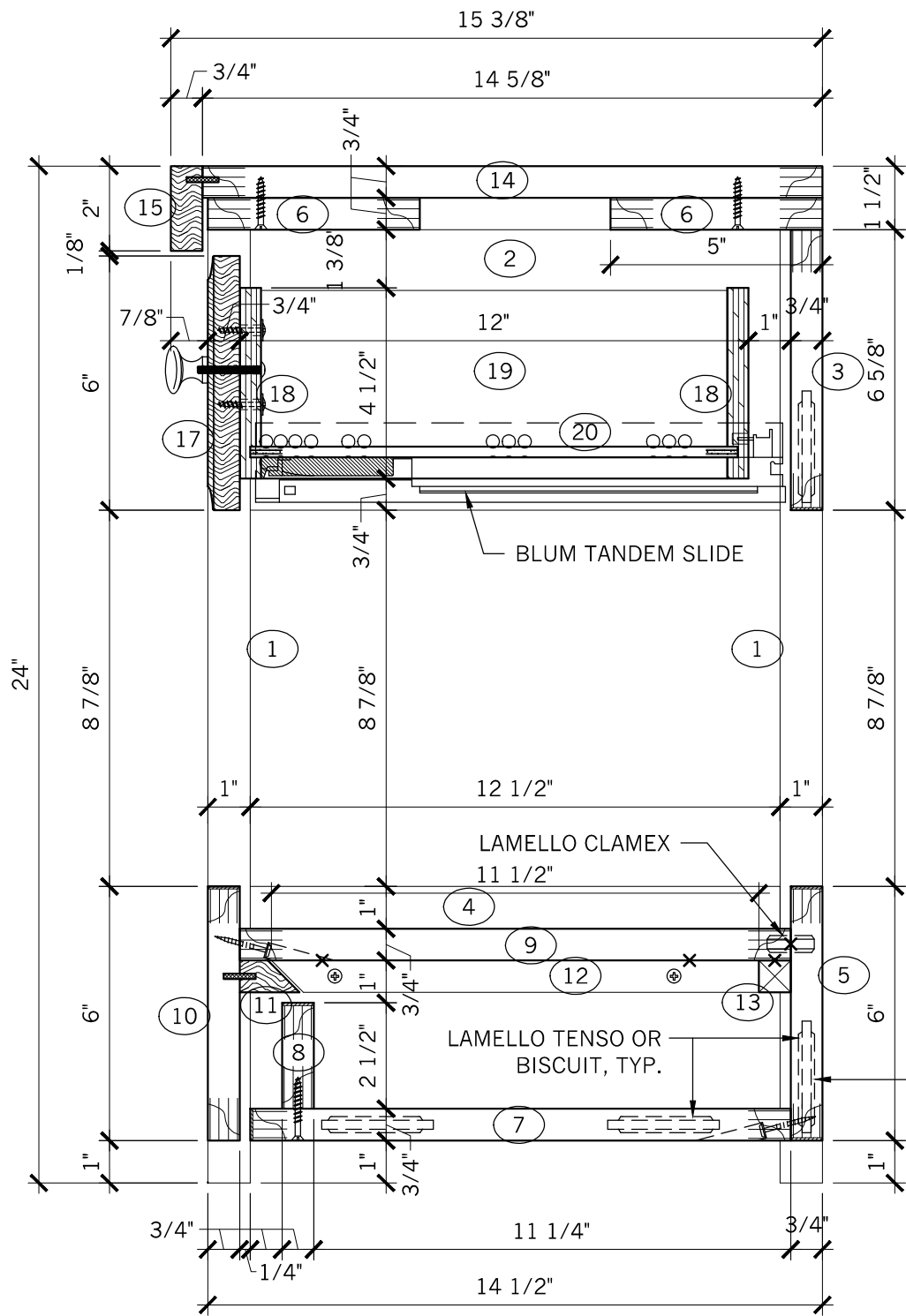
CONTESTANT #

# SkillsUSA

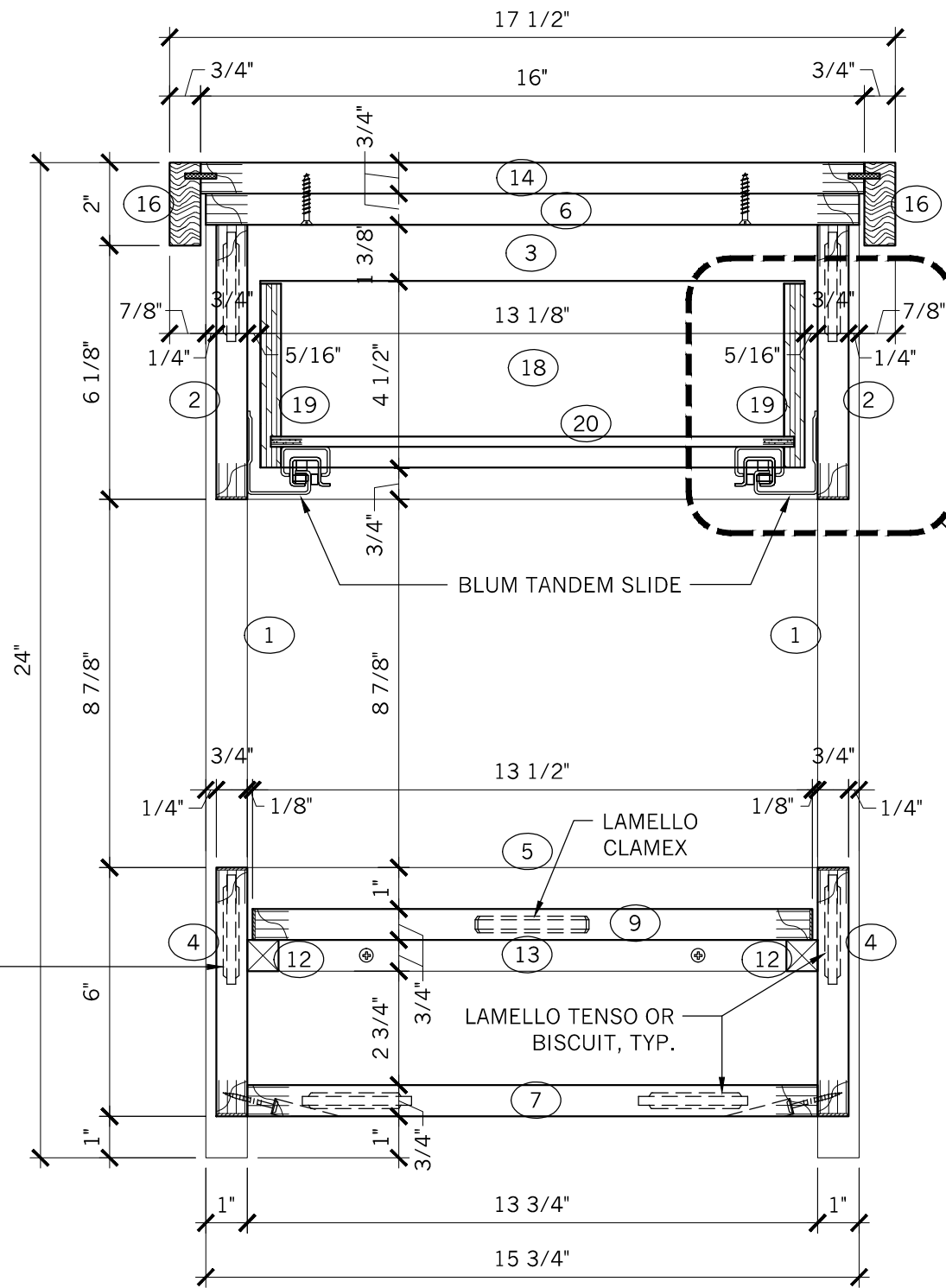
## CALIFORNIA STATE CONTEST

|                      |          |
|----------------------|----------|
| ITEM: WOOD END TABLE |          |
| DATE: APRIL          | 2023     |
| SCALE: AS SHOWN      | DWG #: 1 |
| DRAWN BY: SM/ES      |          |

SPECIAL SPONSORS:



**A** VERT SECTION  
SCALE: 3"=1'-0"



**B** LONGIT SECTION  
SCALE: 3"=1'-0"

CONTESTANT #

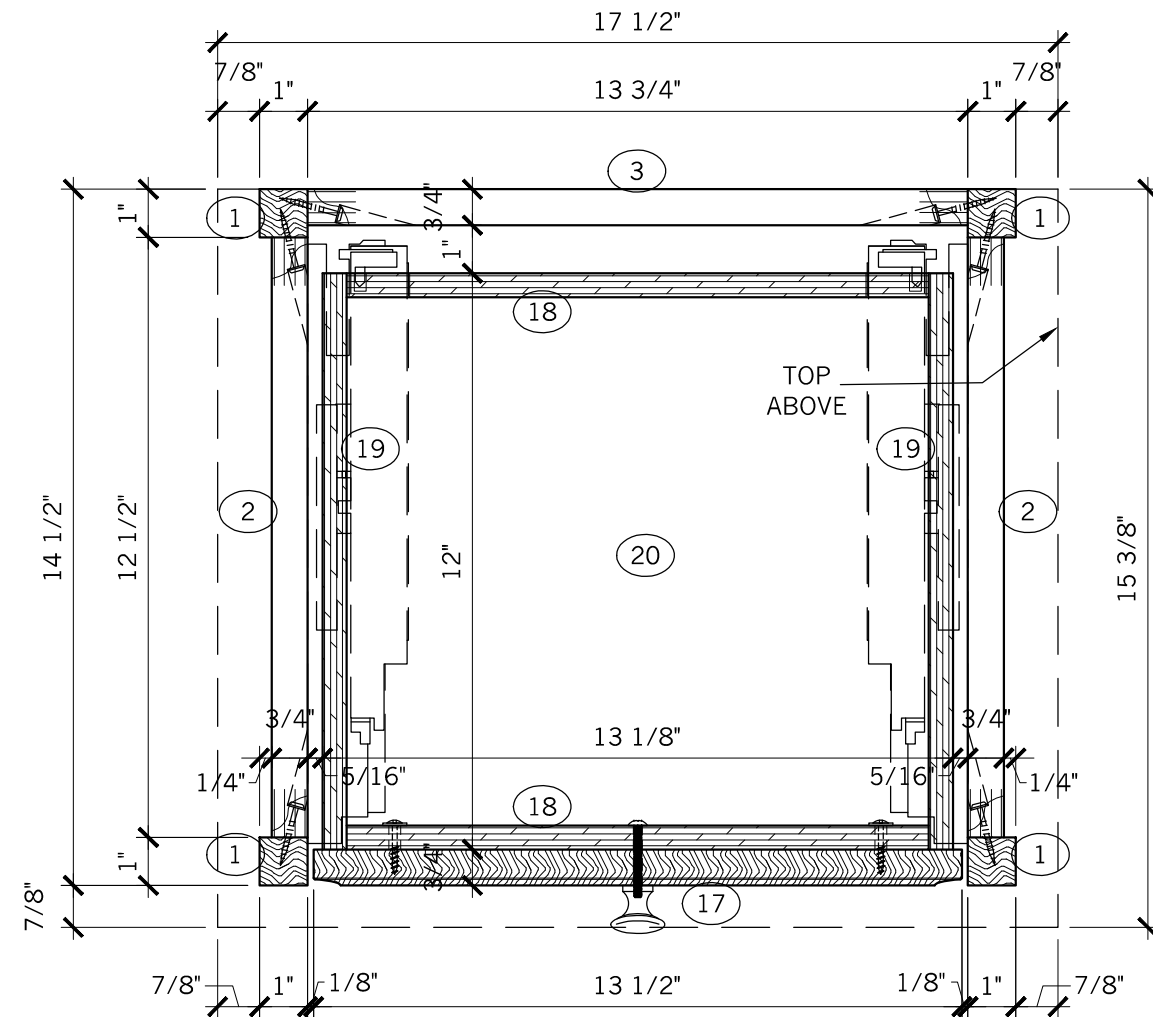
**SkillsUSA**  
CALIFORNIA  
STATE CONTEST

|                      |                        |
|----------------------|------------------------|
| ITEM: WOOD END TABLE |                        |
| DATE: APRIL          | COMPETITION DATE: 2023 |
| SCALE: 3" = 1'-0"    | DWG #: 1A              |
| DRAWN BY: ES         |                        |

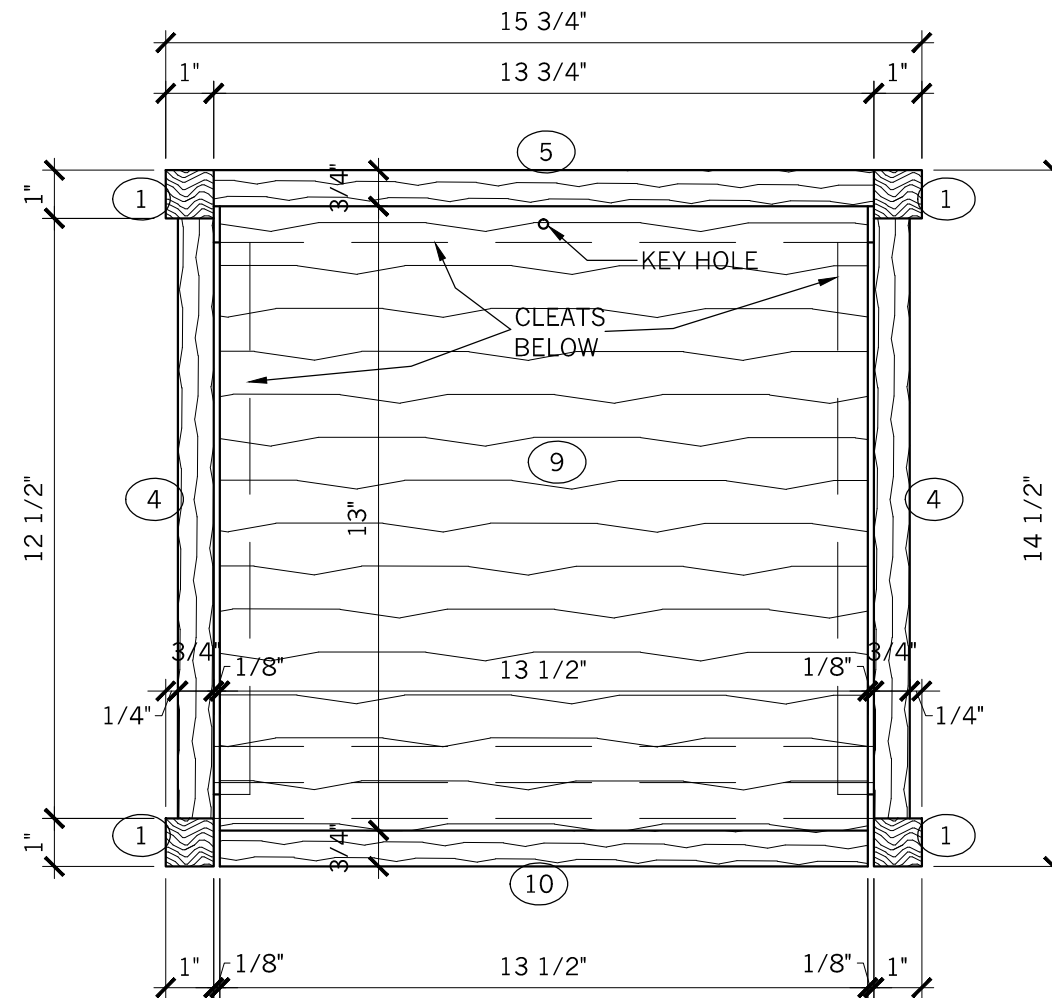
SPECIAL SPONSORS:

**AWFS**  
ASSOCIATION OF  
WOODWORKING  
& FURNISHINGS  
SUPPLIERS

**ARCHITECTURAL  
WOODWORKING  
COMPANY**



**C** PLAN SECTION  
SCALE: 3"=1'-0"



**D** PLAN SECTION  
SCALE: 3"=1'-0"


CONTESTANT #

# SkillsUSA


## CALIFORNIA STATE CONTEST

|                      |                        |
|----------------------|------------------------|
| ITEM: WOOD END TABLE |                        |
| DATE: APRIL          | COMPETITION DATE: 2023 |
| SCALE: 3" = 1'-0"    | DWG #: 1B              |
| DRAWN BY: ES         |                        |

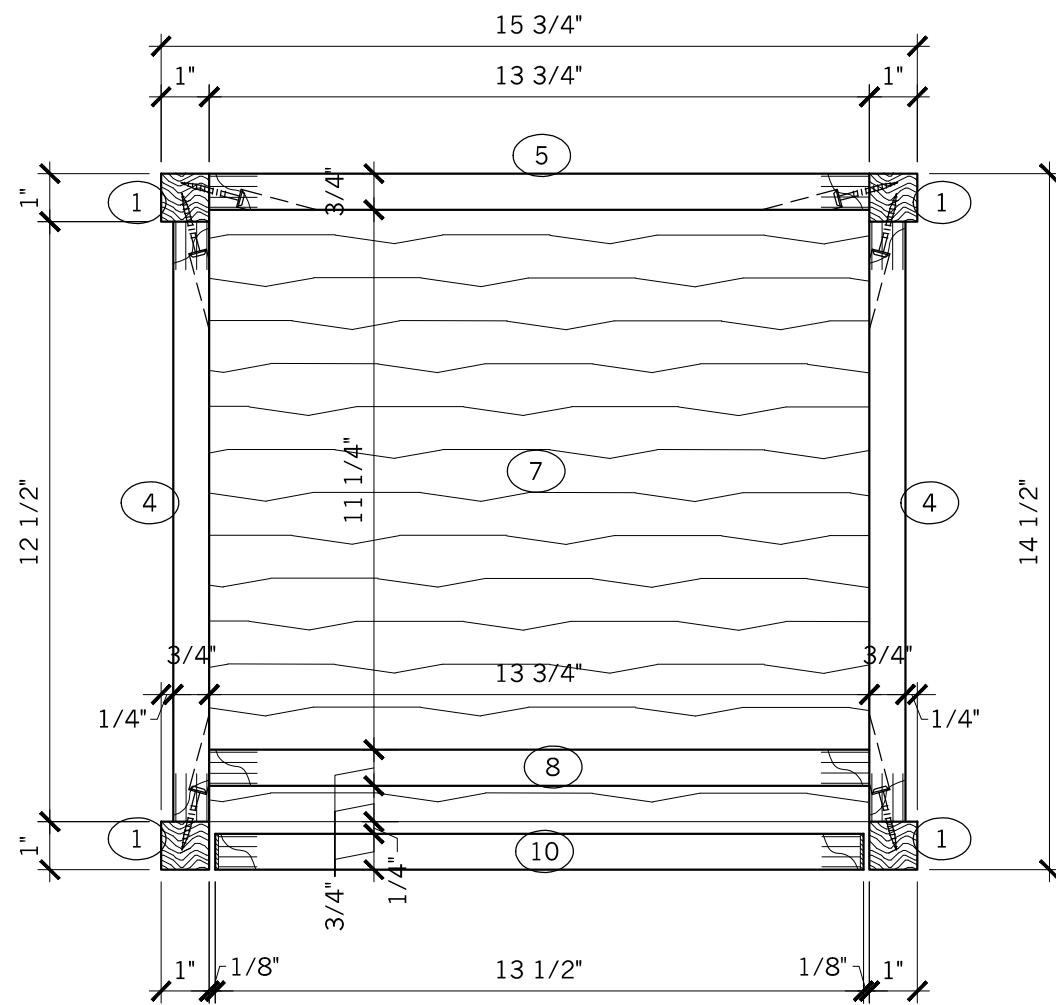
SPECIAL SPONSORS:



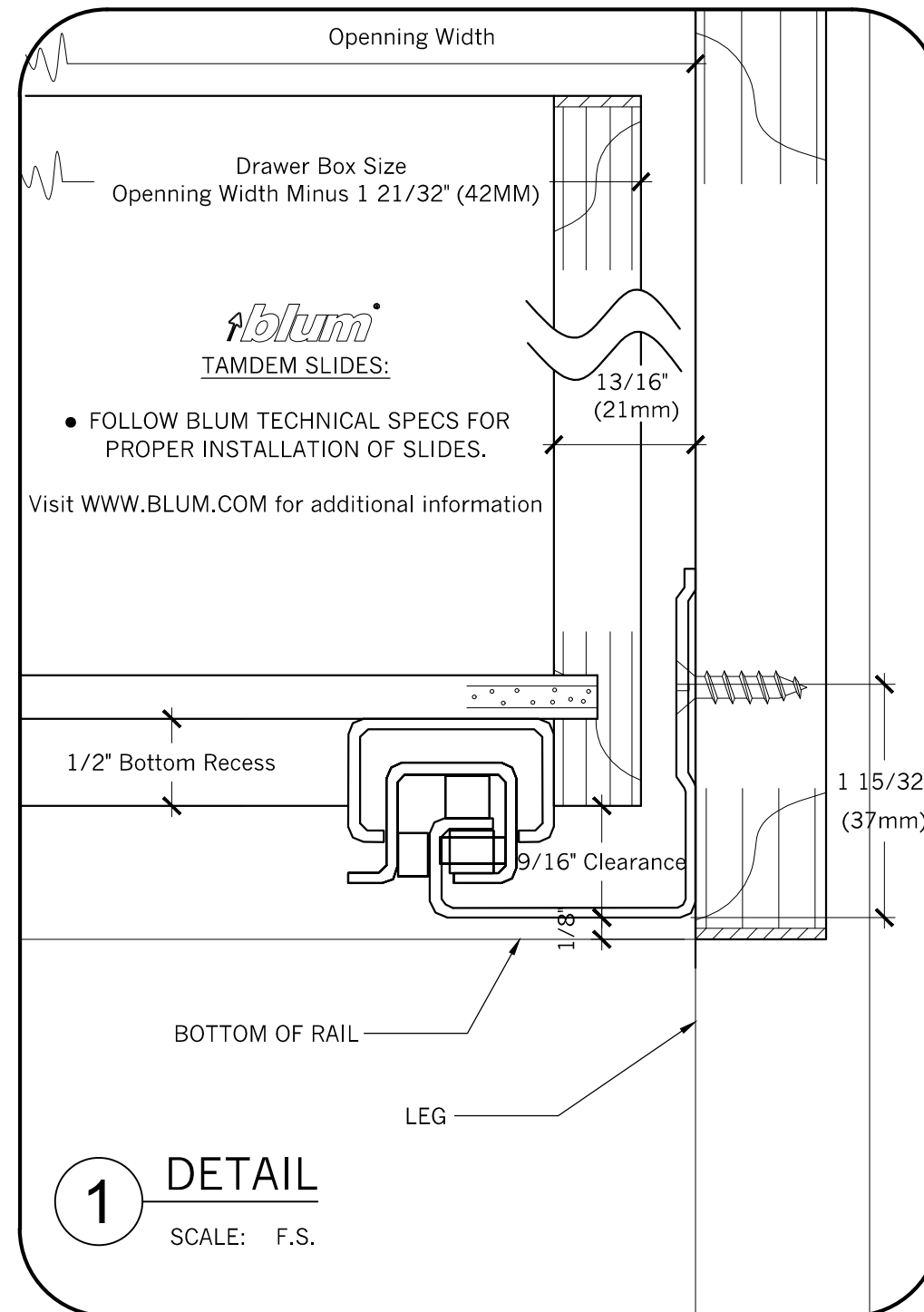
**AWFS**  
ASSOCIATION OF  
WOODWORKING  
& FURNISHINGS  
SUPPLIERS



**ARCHITECTURAL  
WOODWORKING  
COMPANY**



**E** PLAN SECTION  
SCALE: 3"=1'-0"



**1** DETAIL  
SCALE: F.S.

CONTESTANT #

**SkillsUSA**  
CALIFORNIA  
STATE CONTEST

|                      |                        |
|----------------------|------------------------|
| ITEM: WOOD END TABLE |                        |
| DATE: APRIL          | COMPETITION DATE: 2023 |
| SCALE: 3" = 1'-0"    | DWG #: 1C              |
| DRAWN BY: ES         |                        |

SPECIAL SPONSORS:

**AWFS**  
ASSOCIATION OF  
WOODWORKING  
& FURNISHINGS  
SUPPLIERS

**ARCHITECTURAL  
WOODWORKING  
COMPANY**

1/4" Ø THRU HOLES (4)

19

FRONT

18

20

BACK

18

19

4 1/2"

13 1/8"

12"

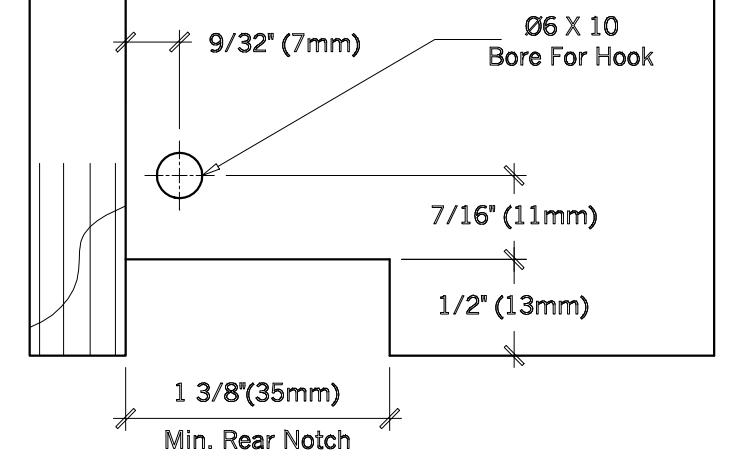
2  
1D

ISOMETRIC VIEW

SCALE: NTS

Drawer Box Kit  
Will be a Kit from  
**Drawer Box Specialties**

**DRAWER BACK PREPARATION  
REAR VIEW**



2  
DETAIL  
SCALE: F.S.



CONTESTANT #

**SkillsUSA**  
CALIFORNIA  
STATE CONTEST

|                              |           |
|------------------------------|-----------|
| ITEM: WOOD END TABLE DWR BOX |           |
| DATE: APRIL                  | 2023      |
| SCALE: AS NOTED              | DWG #: 1D |
| DRAWN BY: ES                 |           |

SPECIAL SPONSORS:

# BILL OF MATERIALS

NOTES:

| #  | QTY | DESCRIPTION         | MATERIAL         | THICKNESS       | WIDTH              | LENGTH               | NOTES                           |
|----|-----|---------------------|------------------|-----------------|--------------------|----------------------|---------------------------------|
| 1  |     | Legs                | Solid Red Oak    | 1"              | 1"                 |                      |                                 |
| 2  |     | Top Side Rails      | Red Oak Ply      | $\frac{3}{4}$ " |                    | 12 $\frac{1}{2}$ "   | Edge 1 Long                     |
| 3  | 1   | Top Rear Rail       | Red Oak Ply      | $\frac{3}{4}$ " | 6 $\frac{5}{8}$ "  |                      | Edge 1 Long                     |
| 4  |     | Bottom Side Rails   | Red Oak Ply      | $\frac{3}{4}$ " |                    |                      | Edge 1 Long                     |
| 5  | 1   | Bottom Rear Rail    | Red Oak Ply      | $\frac{3}{4}$ " | 6"                 | 13 $\frac{3}{4}$ "   | Edge 1 Long                     |
| 6  |     | Stretchers          | Red Oak Ply      | $\frac{3}{4}$ " | 5"                 |                      |                                 |
| 7  | 1   | Deck                | Red Oak Ply      | $\frac{3}{4}$ " |                    | 13 $\frac{3}{4}$ "   | Edge 1 Long                     |
| 8  | 1   | Apron               | Red Oak Ply      | $\frac{3}{4}$ " | 2 $\frac{1}{2}$ "  | 13 $\frac{3}{4}$ "   | Edge 1 Long                     |
| 9  | 1   | False Bottom        | Red Oak Ply      | $\frac{3}{4}$ " |                    | 13 $\frac{1}{2}$ "   | Edge 2 Short                    |
| 10 | 1   | False Front         | Red Oak Ply      | $\frac{3}{4}$ " |                    |                      | Edge 2 Short, 1 Long            |
| 11 | 1   | Lock Rail           | Solid Poplar     | $\frac{3}{4}$ " | 1 $\frac{9}{16}$ " | 13 $\frac{1}{2}$ "   | Miter 1 Long (Already Cut)      |
| 12 | 2   | Side Cleats         | Solid Poplar     | $\frac{3}{4}$ " | $\frac{3}{4}$ "    | 11 $\frac{1}{2}$ "   | Miter 1 End                     |
| 13 | 1   | Rear Cleat          | Solid Poplar     | $\frac{3}{4}$ " | $\frac{3}{4}$ "    | 13 $\frac{3}{4}$ "   |                                 |
| 14 |     | Top                 | Red Oak Ply      | $\frac{3}{4}$ " |                    |                      |                                 |
| 15 | 1   | Front Edge Build-up | Solid Red Oak    | $\frac{3}{4}$ " | 2"                 |                      | Miter 2 Ends                    |
| 16 |     | Side Edge Build-ups | Solid Red Oak    | $\frac{3}{4}$ " | 2"                 |                      | Miter 1 End                     |
| 17 | 1   | Drawer Front        | Solid Red Oak    | $\frac{3}{4}$ " |                    |                      | From Decore-Ative Specialties   |
| 18 | 2   | Drawer F&B          | Baltic Birch Ply | $\frac{1}{2}$ " | 4 $\frac{1}{2}$ "  | 13 $\frac{1}{8}$ "   | Kit from Drawer Box Specialties |
| 19 | 2   | Drawer Sides        | Baltic Birch Ply | $\frac{1}{2}$ " | 4 $\frac{7}{16}$ " | 11 $\frac{11}{16}$ " | Kit from Drawer Box Specialties |
| 20 | 1   | Drawer Bottom       | Baltic Birch Ply | $\frac{1}{4}$ " | 12 $\frac{5}{8}$ " | 11 $\frac{1}{2}$ "   | Kit from Drawer Box Specialties |
|    |     |                     |                  |                 |                    |                      |                                 |
|    |     |                     |                  |                 |                    |                      |                                 |

CONTESTANT #

FILL IN OPEN CELLS (5 POINTS EACH)  
This portion of the competition is worth 110 of 1000 points.

**KEEP FOR CONTEST**

|                                                                                                                                                         |                                                                                                                                |
|---------------------------------------------------------------------------------------------------------------------------------------------------------|--------------------------------------------------------------------------------------------------------------------------------|
| <b>SkillsUSA</b>                                                                                                                                        |                                                                                                                                |
| <b>CALIFORNIA STATE CONTEST</b>                                                                                                                         |                                                                                                                                |
| ITEM: WOOD END TABLE                                                                                                                                    |                                                                                                                                |
| DATE: APRIL                                                                                                                                             | COMPETITION DATE: 2023                                                                                                         |
| SCALE: N/A                                                                                                                                              | DWG #: BOM                                                                                                                     |
| DRAWN BY: ES                                                                                                                                            |                                                                                                                                |
| SPECIAL SPONSORS:                                                                                                                                       |                                                                                                                                |
|  <b>AWFS</b><br>ASSOCIATION OF WOODWORKING & FURNISHINGS SUPPLIERS |  <b>ARCHITECTURAL WOODWORKING COMPANY</b> |

# BILL OF MATERIALS

NOTES:

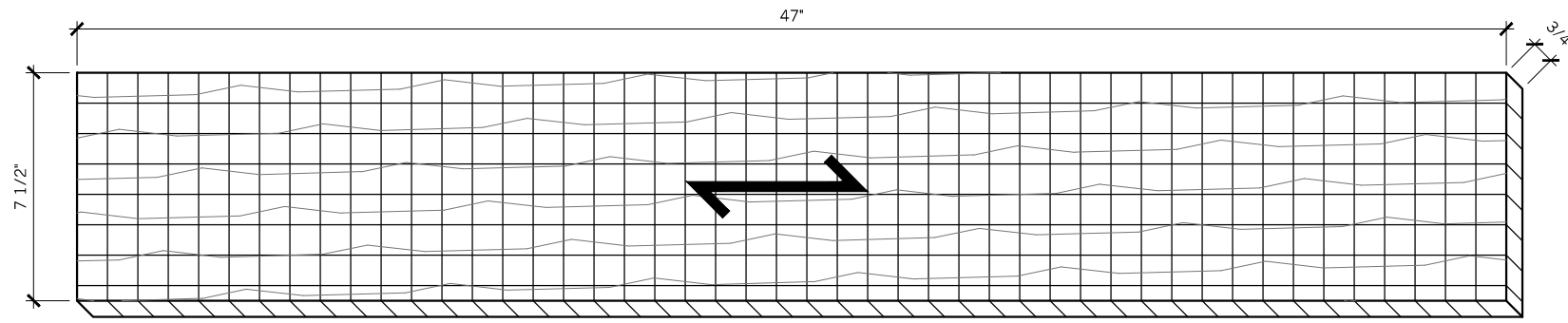
| #  | QTY | DESCRIPTION         | MATERIAL         | THICKNESS       | WIDTH              | LENGTH               | NOTES                           |
|----|-----|---------------------|------------------|-----------------|--------------------|----------------------|---------------------------------|
| 1  |     | Legs                | Solid Red Oak    | 1"              | 1"                 |                      |                                 |
| 2  |     | Top Side Rails      | Red Oak Ply      | $\frac{3}{4}$ " |                    | 12 $\frac{1}{2}$ "   | Edge 1 Long                     |
| 3  | 1   | Top Rear Rail       | Red Oak Ply      | $\frac{3}{4}$ " | 6 $\frac{5}{8}$ "  |                      | Edge 1 Long                     |
| 4  |     | Bottom Side Rails   | Red Oak Ply      | $\frac{3}{4}$ " |                    |                      | Edge 1 Long                     |
| 5  | 1   | Bottom Rear Rail    | Red Oak Ply      | $\frac{3}{4}$ " | 6"                 | 13 $\frac{3}{4}$ "   | Edge 1 Long                     |
| 6  |     | Stretchers          | Red Oak Ply      | $\frac{3}{4}$ " | 5"                 |                      |                                 |
| 7  | 1   | Deck                | Red Oak Ply      | $\frac{3}{4}$ " |                    | 13 $\frac{3}{4}$ "   | Edge 1 Long                     |
| 8  | 1   | Apron               | Red Oak Ply      | $\frac{3}{4}$ " | 2 $\frac{1}{2}$ "  | 13 $\frac{3}{4}$ "   | Edge 1 Long                     |
| 9  | 1   | False Bottom        | Red Oak Ply      | $\frac{3}{4}$ " |                    | 13 $\frac{1}{2}$ "   | Edge 2 Short                    |
| 10 | 1   | False Front         | Red Oak Ply      | $\frac{3}{4}$ " |                    |                      | Edge 2 Short, 1 Long            |
| 11 | 1   | Lock Rail           | Solid Poplar     | $\frac{3}{4}$ " | 1 $\frac{9}{16}$ " | 13 $\frac{1}{2}$ "   | Miter 1 Long (Already Cut)      |
| 12 | 2   | Side Cleats         | Solid Poplar     | $\frac{3}{4}$ " | $\frac{3}{4}$ "    | 11 $\frac{1}{2}$ "   | Miter 1 End                     |
| 13 | 1   | Rear Cleat          | Solid Poplar     | $\frac{3}{4}$ " | $\frac{3}{4}$ "    | 13 $\frac{3}{4}$ "   |                                 |
| 14 |     | Top                 | Red Oak Ply      | $\frac{3}{4}$ " |                    |                      |                                 |
| 15 | 1   | Front Edge Build-up | Solid Red Oak    | $\frac{3}{4}$ " | 2"                 |                      | Miter 2 Ends                    |
| 16 |     | Side Edge Build-ups | Solid Red Oak    | $\frac{3}{4}$ " | 2"                 |                      | Miter 1 End                     |
| 17 | 1   | Drawer Front        | Solid Red Oak    | $\frac{3}{4}$ " |                    |                      | From Decore-Ative Specialties   |
| 18 | 2   | Drawer F&B          | Baltic Birch Ply | $\frac{1}{2}$ " | 4 $\frac{1}{2}$ "  | 13 $\frac{1}{8}$ "   | Kit from Drawer Box Specialties |
| 19 | 2   | Drawer Sides        | Baltic Birch Ply | $\frac{1}{2}$ " | 4 $\frac{7}{16}$ " | 11 $\frac{11}{16}$ " | Kit from Drawer Box Specialties |
| 20 | 1   | Drawer Bottom       | Baltic Birch Ply | $\frac{1}{4}$ " | 12 $\frac{5}{8}$ " | 11 $\frac{1}{2}$ "   | Kit from Drawer Box Specialties |
|    |     |                     |                  |                 |                    |                      |                                 |
|    |     |                     |                  |                 |                    |                      |                                 |

CONTESTANT #

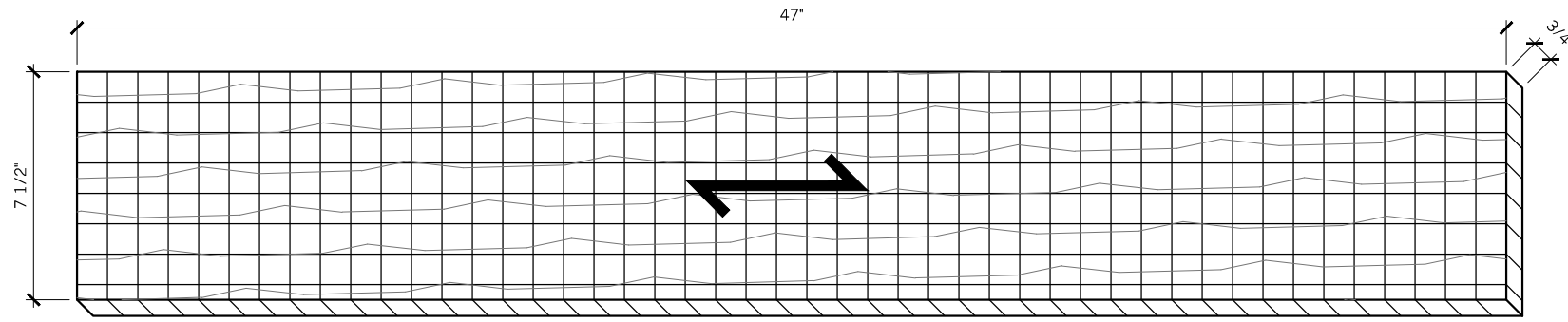
FILL IN OPEN CELLS (5 POINTS EACH)  
This portion of the competition is worth 110 of 1000 points.

**SUBMIT TO JUDGE**

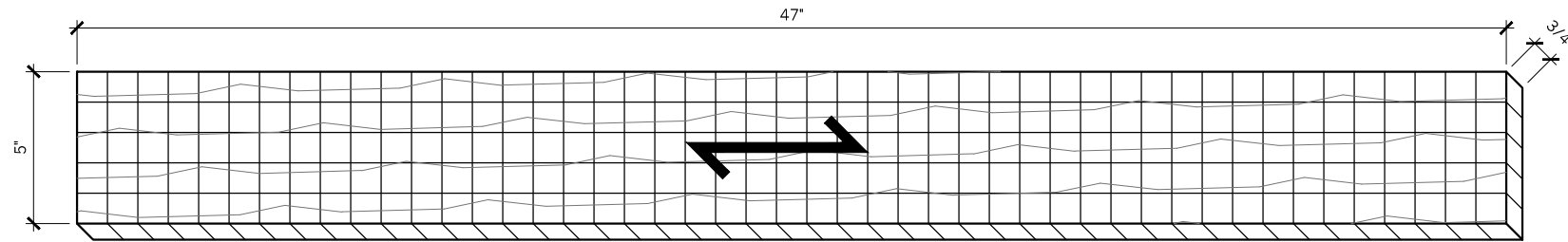
|                                                                                                                                                         |                                                                                                                                |
|---------------------------------------------------------------------------------------------------------------------------------------------------------|--------------------------------------------------------------------------------------------------------------------------------|
| <b>SkillsUSA</b>                                                                                                                                        |                                                                                                                                |
| <b>CALIFORNIA STATE CONTEST</b>                                                                                                                         |                                                                                                                                |
| ITEM: WOOD END TABLE                                                                                                                                    |                                                                                                                                |
| DATE: APRIL                                                                                                                                             | COMPETITION DATE: 2023                                                                                                         |
| SCALE: N/A                                                                                                                                              | DWG #: 6A                                                                                                                      |
| DRAWN BY: ES                                                                                                                                            |                                                                                                                                |
| SPECIAL SPONSORS:                                                                                                                                       |                                                                                                                                |
|  <b>AWFS</b><br>ASSOCIATION OF WOODWORKING & FURNISHINGS SUPPLIERS |  <b>ARCHITECTURAL WOODWORKING COMPANY</b> |



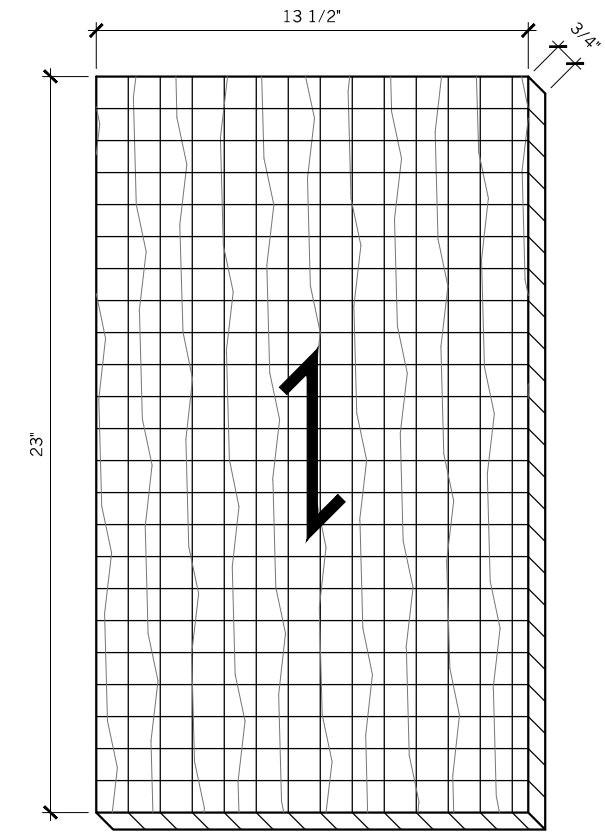
-FOR THE TOP RAILS (PARTS # 2 & 3) YOU WILL RECEIVE ONE PIECE OF SHEET STOCK, 1 PC. @  $\frac{3}{4}$ " x 7  $\frac{1}{2}$ " x 47" - RWRL



-FOR THE BOTTOM RAILS (PARTS # 4 & 5) YOU WILL RECEIVE ONE PIECE OF SHEET STOCK, 1 PC. @  $\frac{3}{4}$ " x 7  $\frac{1}{2}$ " x 47" - RWRL



-FOR THE STRETCHERS & APRON (PARTS # 6 & 8) YOU WILL RECEIVE ONE PIECE OF SHEET STOCK, 1 PC. @  $\frac{3}{4}$ " x 5" x 47" - RL



-FOR THE FALSE BOTTOM & FALSE FRONT (PARTS # 9 & 10) YOU WILL RECEIVE ONE PIECE OF SHEET STOCK, 1 PC. @  $\frac{3}{4}$ " x 13  $\frac{1}{2}$ " x 23  $\frac{1}{2}$ " - RL

CONTESTANT #

# MATERIAL LAYOUT INSTRUCTIONS

Once you've completed your Bill of Materials, lay out the parts on each corresponding piece of material. Do this by drawing a line vertically and/or horizontally to indicate saw cut. Label each piece with the part name and overall dimensions. Draw an "X" on any scrap pieces. Pay close attention to the grain direction of each piece.

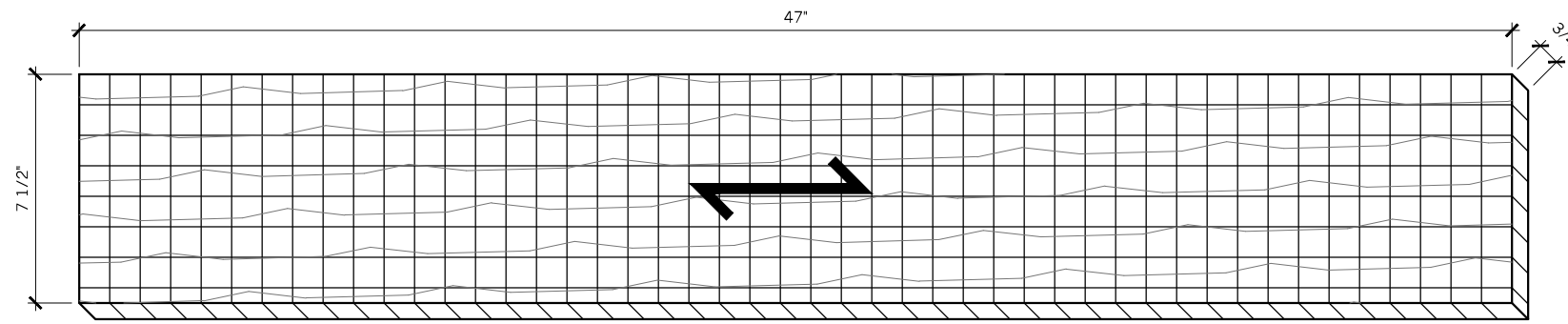
This portion of the competition is worth 40 of 1000 points.

Note: Each square is scaled to 1" Squared.

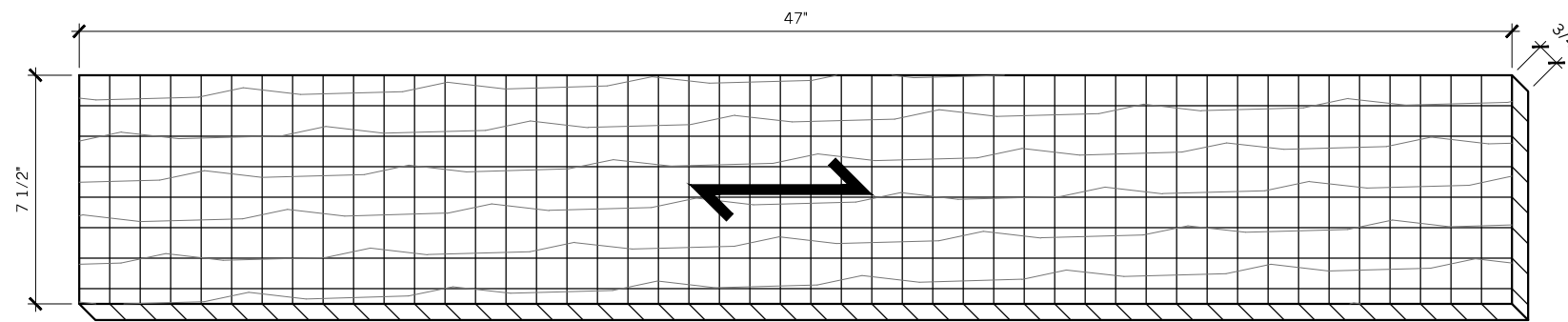
**KEEP FOR CONTEST**

|                                                                   |                                          |
|-------------------------------------------------------------------|------------------------------------------|
| <b>SkillsUSA</b>                                                  |                                          |
| CALIFORNIA STATE CONTEST                                          |                                          |
| ITEM:                                                             | WOOD END TABLE                           |
| DATE:                                                             | APRIL                                    |
| COMpetition DATE:                                                 | 2023                                     |
| SCALE:                                                            | 1-1/2"=1'-0"                             |
| DWG #:                                                            |                                          |
| DRAWN BY:                                                         | ES                                       |
| <b>Layout</b>                                                     |                                          |
| SPECIAL SPONSORS:                                                 |                                          |
| <b>AWFS</b><br>ASSOCIATION OF WOODWORKING & FURNISHINGS SUPPLIERS | <b>ARCHITECTURAL WOODWORKING COMPANY</b> |

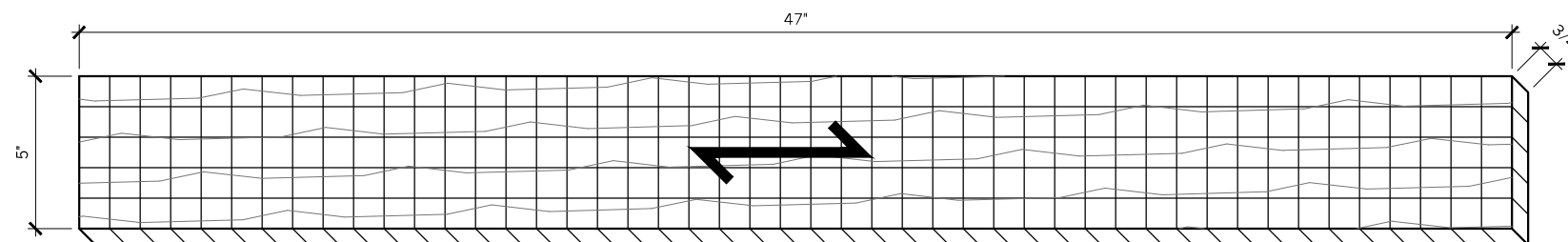




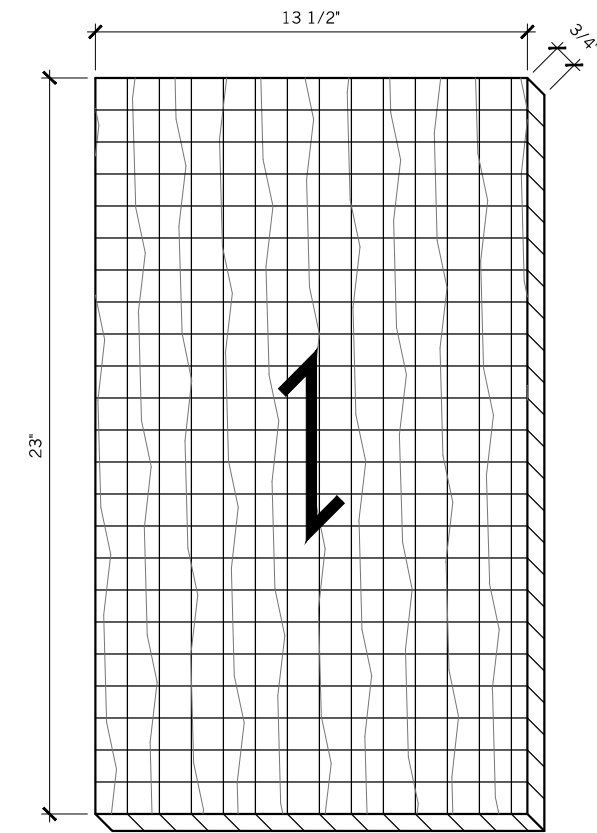
-FOR THE TOP RAILS (PARTS # 2 & 3) YOU WILL RECEIVE ONE PIECE OF SHEET STOCK, 1 PC. @  $\frac{3}{4}$ " x  $7\frac{1}{2}$ " x 47" - RWRL



-FOR THE BOTTOM RAILS (PARTS # 4 & 5) YOU WILL RECEIVE ONE PIECE OF SHEET STOCK, 1 PC. @  $\frac{3}{4}$ " x  $7\frac{1}{2}$ " x 47" - RWRL



-FOR THE STRETCHERS & APRON (PARTS # 6 & 8) YOU WILL RECEIVE ONE PIECE OF SHEET STOCK, 1 PC. @  $\frac{3}{4}$ " x 5" x 47" - RL



-FOR THE FALSE BOTTOM & FALSE FRONT (PARTS # 9 & 10) YOU WILL RECEIVE ONE PIECE OF SHEET STOCK, 1 PC. @  $\frac{3}{4}$ " x  $13\frac{1}{2}$ " x  $23\frac{1}{2}$ " - RL

CONTESTANT #



# MATERIAL LAYOUT INSTRUCTIONS

Once you've completed your Bill of Materials, lay out the parts on each corresponding piece of material. Do this by drawing a line vertically and/or horizontally to indicate saw cut. Label each piece with the part name and overall dimensions. Draw an "X" on any scrap pieces. Pay close attention to the grain direction of each piece.

This portion of the competition is worth 40 of 1000 points.

Note: Each square is scaled to 1" Squared.

**SUBMIT TO JUDGE**

|                                                                                                                                                                     |                                                                                                                                                             |
|---------------------------------------------------------------------------------------------------------------------------------------------------------------------|-------------------------------------------------------------------------------------------------------------------------------------------------------------|
| <b>SkillsUSA</b>                                                                                                                                                    |                                                                                                                                                             |
| CALIFORNIA<br>STATE CONTEST                                                                                                                                         |                                                                                                                                                             |
| ITEM: WOOD END TABLE                                                                                                                                                |                                                                                                                                                             |
| DATE: APRIL                                                                                                                                                         | COMPETITION DATE: 2023                                                                                                                                      |
| SCALE: 1-1/2"=1'-0"                                                                                                                                                 | DWG #: Layout A                                                                                                                                             |
| DRAWN BY: ES                                                                                                                                                        |                                                                                                                                                             |
| SPECIAL SPONSORS:                                                                                                                                                   |                                                                                                                                                             |
| <br><b>AWFS</b><br>ASSOCIATION OF<br>WOODWORKING<br>& FURNISHINGS<br>SUPPLIERS | <br><b>ARCHITECTURAL<br/>         WOODWORKING<br/>         COMPANY</b> |