

KRYPTON P1400 IP

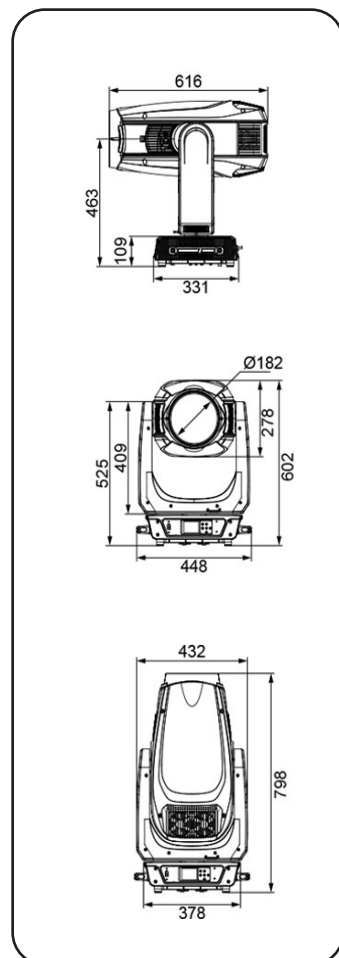
SPECIFICATIONS

OPTIC

- LED: 1400W CW LED
- Beam angle: 5~53°
- Color temperature: 6500 K
- CRI: 72
- Output: 56500 Lm
- Lifetime: 50000 H

CONTROL & PROGRAM

- Channel: 36/52CH
- Protocol: DMX512, RDM
- Data connector: 3PIN XLR
- Display: 2.8 inches touch screen, (the operation panel has a rechargeable battery that allows you to access the menu to set the address code and make other settings without power on)



SIZE & WEIGHT

- Size: 448 × 331 × 798 mm
- N.W: 42.5 kgs

EFFECT

- Strobe: 1 ~ 25Hz
- LED refresh rate: 900Hz ~ 25KHz
- 1 Rotation gobo wheel: 6 + 1
- 2 Rotation gobo wheel: 6 + 1
- CMY + CTO
- Color wheel: 5 + 1
- Frost: Light frost + heavy frost
- Framing: With 4 blade, can achieve fast and smooth cutting. The framing direction and angle of each blade can be controlled separately, and the single blade can realize complete beam closing. The whole framing module can be rotated by ±60°
- Prism: 4 prism + 6 linear
- With iris, Animation

SOFTWARE

- Via USB & DMX signal to update
- Intelligent temperature protection to ensure LED service life

HOUSING

- Aluminum alloy structure + plastic (VO)
- Fan cooling

POWER CONSUMPTION

- Voltage: AC 110V ~ 240V 50/60Hz
- Power: 1860 W



PAN & TILT MOVEMENT

- Pan: 540° or 630° 8bit/16bit
- Tilt: 270° 8bit/16bit

OTHER

- IP rating: IP30
- Work environment: -40°C ~ 45°C
- Startup environment: -20°C ~ 45°C

