

# KRYPTON P800-IP

## SPECIFICATIONS

### OPTIC

- LED: 800W LED
- Beam angle: 6~53°
- Lifetime: 50000 H
- Output: 41000 Lm
- Lux: 10530 Lux@15m
- CRI: 72 (Optional 90)

### PAN & TILT MOVEMENT

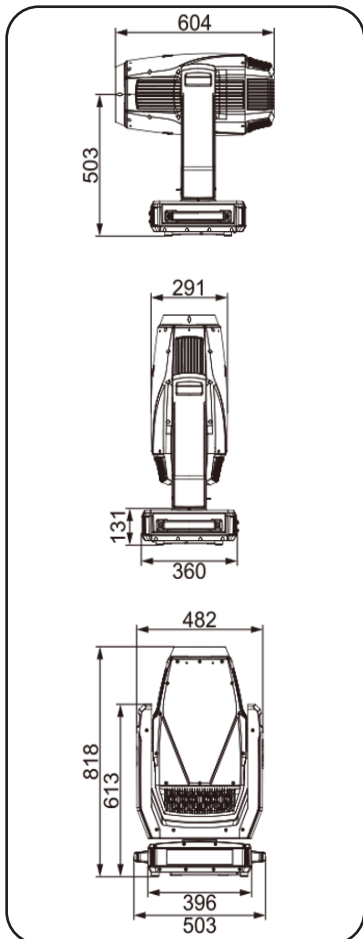
- Pan: 540° or 630° 8bit/16bit
- Tilt: 270° 8bit/16bit

### CONTROL & PROGRAM

- Channel: 36/52CH
- Protocol: DMX512, RDM
- Data connector: 3/5PIN XLR-
- Display: 2.8 inches touch screen

### SIZE & WEIGHT

- Size: 503 × 360 × 818 mm
- N.W: 49 kgs



### EFFECT

- Strobe: 1~25Hz
- Fixed gobo wheel: 7 + 1
- Rotation gobo wheel: 6 + 1
- CMY + CTO
- Color wheel: 6 + 1
- Prism: 4 prism + 6 linear
- Frost: 2
- Framing: With 4 blade

### SOFTWARE

- Via USB & DMX signal to update software, more convenient and faster
- Mute waterproof fan, intelligent speed control
- Intelligent temperature protection to ensure LED service life

### BODY STRUCTURE

- Aluminum alloy structure + plastic (VO)

### POWER CONSUMPTION

- Voltage: AC 110V~240V 50/60Hz
- Rated power: 1180 W

### OTHER

- IP rating: IP65
- Work environment: -40°C ~ 45°C
- Startup environment: -20°C ~ 45°C

