

# KRYPTON LW5015

## SPECIFICATIONS

### OPTIC

- LED: 50 × 15W RGBW LED
- Beam angle: 14°
- Filed angle: 26°
- Lifetime: 50000 H

### COLOR

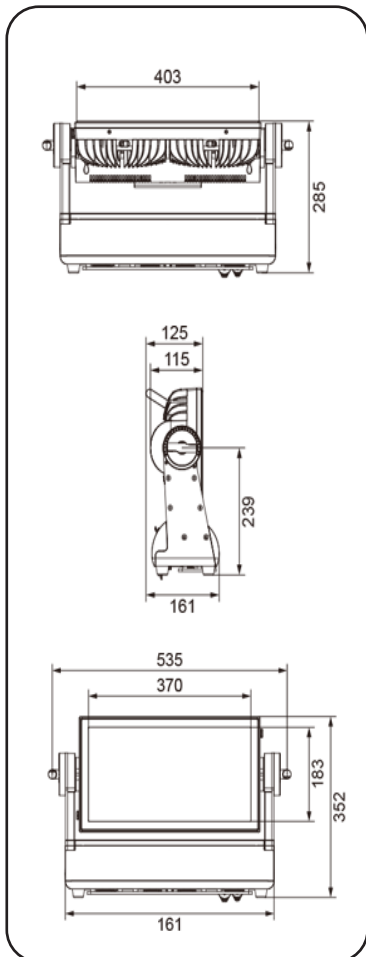
- Uniform RGBW color mixing system and rainbow effect
- Create unlimited movement, infinite color changes

### CONTROL & PROGRAM

- Channel: 4/7/8/12/40/4/9/32CH
- Protocol: DMX512, RDM
- Data connector: 5PIN XLR
- Display: OLED display

### SIZE & WEIGHT

- Size: 522 × 360 × 140 mm
- N.W: 15 kgs



### EFFECT

- 4 built-in programs
- Strobe: 1 ~ 20Hz
- Dimming mode: 6 kinds
- Dimming curve: 4 kinds

### SOFTWARE

- Via DMX signal to update
- Intelligent temperature protection to ensure LED service life

### HOUSING

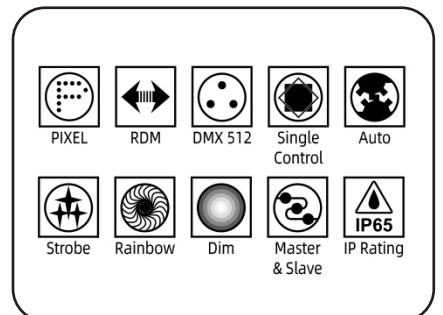
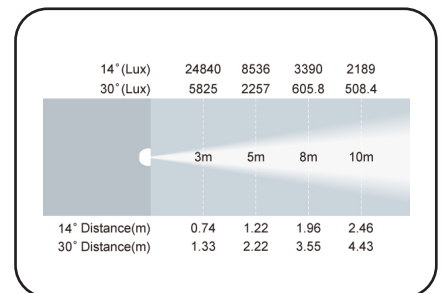
- Die-cast aluminum construction
- Waterproof fan for heat dissipation

### POWER CONSUMPTION

- Voltage: AC 110V~240V 50/60Hz
- Rated power: 780 W

### OTHER

- IP rating: IP65
- Work environment: -10°C ~ 45°C



	Strobe table
0 - 31	Closed
32 - 63	Open
64 - 95	Strobe (slow → fast)
96 - 127	Open
128 - 159	Pulse (slow → fast)
160 - 191	Open
192 - 223	Random (slow → fast)
224 - 255	Open

	Dimmer mode table
0 - 20	Standard
21 - 40	Stage
41 - 60	TV
61- 80	Archictural
81- 100	Theatre
101- 120	Stage 2
121 - 255	No funtion

Table 2: LW5015 channel table

3CH	4CH	8CH	10CH	16CH	80CH	82CH	88CH	4CH	10CH	38CH	Value	Function
				1			1		1	1	See strobe table	strobe
			1	2		1	2	1	2	2	0-255	General adjustment
			2	3		2	3	2	3	3	0-255	minute adjustment
				4			4		4	4	See dimming mode table	Dimming mode
				5			5		5	5	See control channel table	Control channel
				6			6		6	6	0-255	Built-in speed
				7			7		7	7	0-255	Built-in gradient speed
				8			8		8	8	0-255	Fixing color
1	1	1	3	9	1	3	9				0-255	R
		2	4	10							0-255	R minute adjustment
2	2	3	5	11	2	4	10				0-255	G
		4	6	12							0-255	G minute adjustment
3	3	5	7	13	3	5	11				0-255	B

		6	8	14							0-255	B minute adjustment
	4	7	9	15	4	6	12				0-255	W
		8	10	16							0-255	W minute adjustment
					5	7	13				0-255	R1
					...	...	...				.....	.....
					73	75	81				0-255	R10
					74	76	82					R10 minute adjustment
					75	77	83				0-255	G10
					76	78	84					G10 minute adjustment
					77	79	85				0-255	B10
					78	80	86					B10 minute adjustment
					79	81	87				0-255	W10
					80	82	88					W10 minute adjustment
								3	9	9	0-255	hue
								4	10	10	0-255	saturation
										11	0-255	Dimming
											.....	.....
										36	0-255	hue10
										37	0-255	Saturation 10
										38	0-255	Dimming10

	Control channel table
0 -19	No funtion
20-24	Program 1
25-29	Program 2
30-34	Program 3
35-39	Program 4
40-44	Program 5
45-49	Program 6
50-54	Program 7
55-59	Program 8
60-64	Program 9
65-69	Program 10
70-74	Program 11
75-79	Program 12
80-100	No funtion



	Change Refresh Rate (Hz)
101 - 105	900
106 - 110	1000
111 - 115	1100
116 - 120	1200 (default)
121 - 125	1300
126 - 130	1400
131 - 135	1500
136 - 140	2500
141 - 145	4000
146 - 150	5000
151 - 155	10000
156 - 160	15000
161 - 165	20000
166 - 170	25000
171 - 200	No funtion
	<b>Dimmer Curves</b>
201-210	Dimmer Curve Linear (default)
211-220	Dimmer Curve Square
221-230	Dimmer Curve Inverse Square
231-240	Dimmer Curve S-Curve
241-255	No funtion

1	6
2	7
3	8
4	9
5	10
no display	

Standard

10	5
9	4
8	3
7	2
6	1
no display	

Flipl

PANEL