

KRYPTON GOODBOY

SPECIFICATIONS

OPTIC

- Source: 260W laser
- Beam angle: 0.8°
- Color temperature: 7800K
- Lifetime: 20000 H
- Output: 7900 Lm
- Lux: 462000 Lux@20m
- Lens diameter: 222 mm

PAN & TILT MOVEMENT

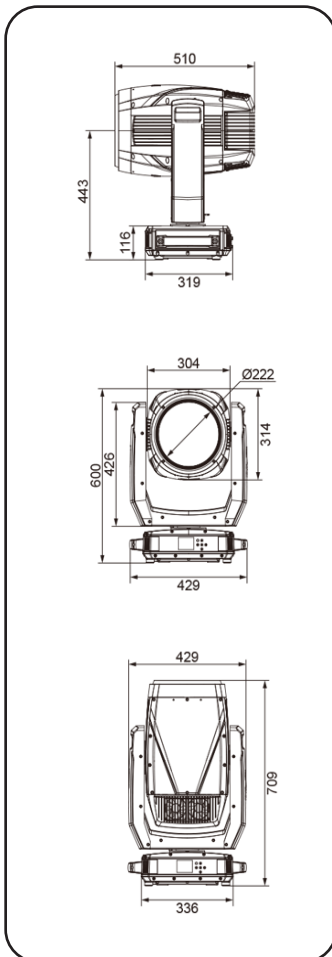
- Pan: 540° or 630° 8bit/16bit
- Tilt: 270° 8bit/16bit

CONTROL & PROGRAM

- Channel: 20/17CH
- Protocol: DMX512, RDM
- Data connector: 3/5PIN XLR
- Display: 2.8 LCD Display

SIZE & WEIGHT

- Size: 429 × 319 × 709 mm
- N.W: 39 kgs



EFFECT

- Strobe: 1~25Hz
- Fixed gobo wheel: 19 + 1
- CMY + CTO
- Color wheel: 17 + 1
- Prism: Wheel 1 (8 prism + 16 prism)
Wheel 2 (6 linear + double linear)
- Frost: 1 light frost
- 6 color wheel: 1pcs 6color filter, It can rotate and be used with prism

SOFTWARE

- Via USB & DMX signal to update software, more convenient and faster
- Mute waterproof fan, intelligent speed control
- Intelligent temperature protection to ensure LED service life

BODY STRUCTURE

- Aluminum alloy structure + plastic (VO)

POWER CONSUMPTION

- Voltage: AC 110V~240V
50/60Hz
- Rated power: 370 W

OTHER

- IP rating: IP65
- Work environment: -40°C ~ 45°C
- Startup environment: -20°C~ 45°C

