

CKC V8

OPTIC

- LED: 800W LED
- Beam angle: 6~52°
- Color temperature: 6500 K
- Lifetime: 50000 H
- Output: 39000 Lm
- CRI: 72

EFFECT

- Strobe: 1 ~ 25 Hz
- Fixed gobo wheel: 7 + 1
- Rotation gobo wheel: 6 + 1
- CMY + CTO
- Color wheel: 6 + 1
- Prism: 4 prism + 6 linear prism
- Frost: 2 frost effect, and frost can overlap (1 light frost, 1 heavy frost)
- Profile: With 4 blade, can achieve fast and smooth cutting. The framing direction and angle of each blade can be controlled separately, and the single blade can realize complete beam closing. The whole framing module can be rotated by $\pm 60^\circ$.
- With iris, Animation

SOFTWARE

- Via USB & DMX signal to update
- Intelligent temperature protection to ensure

LED service life

CONTROL & PROGRAM

- Channel: 36/52CH
- Protocol: DMX512, RDM
- Data connector: 3/5PIN XLR

- **Display: 2.8 inches touch screen, the operation panel has a rechargeable battery that allows you to access the menu to set the address code and make other settings without power on**

PAN & TILT MOVEMENT

- **Pan: 540° or 630° 8bit/16bit**
- **Tilt: 270° 8bit/16bit**

HOUSING

- **Aluminum alloy structure + plastic (VO)**
- **Fan cooling**

POWER CONSUMPTION

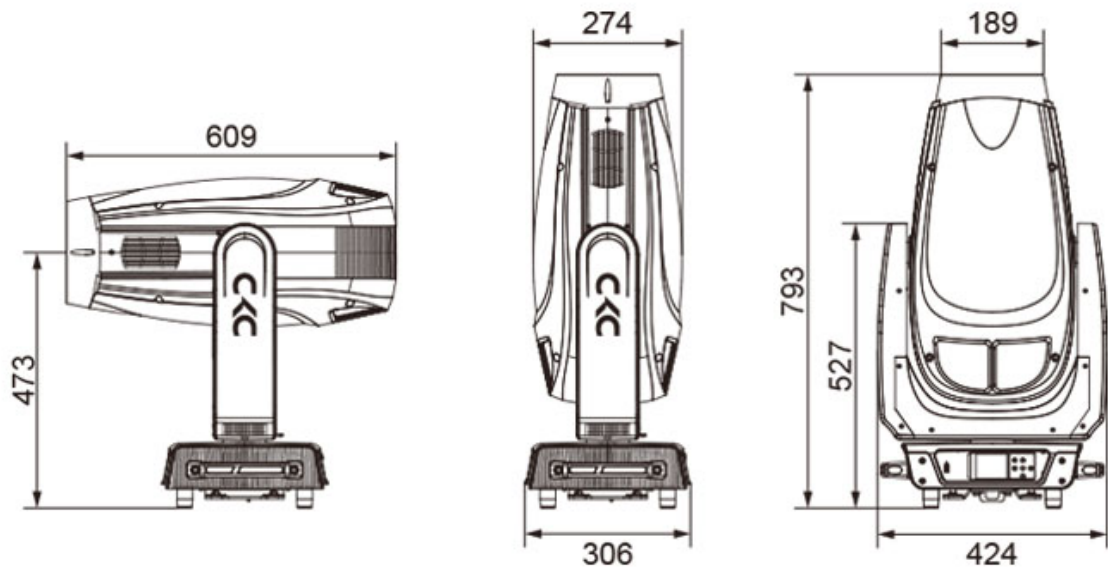
- **Voltage: AC 110V ~ 240V 50/60Hz**
- **Rated power: 1180 W**

OTHER

- **IP rating: IP30**
- **Work environment: -40°C ~ 45°C**
- **Startup environment: -20°C ~ 45°C**

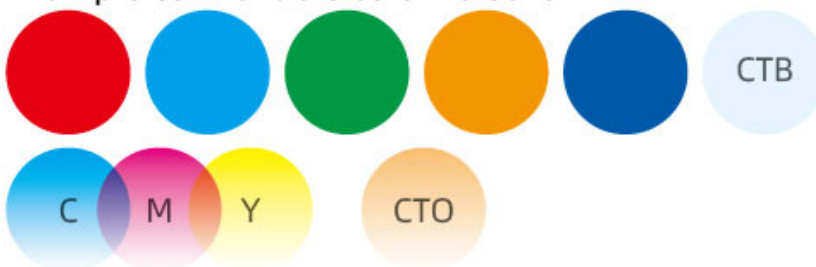
SIZE & WEIGHT

- **Size: 424 × 306 × 793 mm**
- **N.W: 36.5 kgs**



6° (Lux)	31300	9600	2018	727
52° (Lux)	1038	255	64	
	8m	15m	30m	50m
6° Distance(m)	0.84	1.57	3.14	5.24
52° Distance(m)	7.80	14.63	29.26	

Multiple controllable color selection



Rotating gobo wheel



Fixing gobo wheel



